

OPERATING AND INSTALLATION MANUAL

**ClimateSAFE™ Electric Heater and Fan
for Outdoor Animal Enclosures
(model#:CRPH1)**

ClimateRight

777 Manor Park Drive
Columbus, OH 43228

Toll Free: 1 (800) 725-4628

Website: climateright.com

Thank you for choosing the ClimateSAFE™ Electric Heater and Fan manufactured by ClimateRight®. The intended use of this product is a wall-mounted heater and fan to help dogs, cats, rabbits, chickens and other small pet and farm animals with some warmth and air circulation for their small enclosed spaces.

This owner's manual will provide you with valuable information necessary for the proper care and maintenance of your new product. Please take a few moments to thoroughly read the instructions and familiarize yourself with all the operational aspects of your new ClimateSAFE™ unit.

IMPORTANT INSTRUCTIONS

1. Before using this product, please read this owner's manual carefully. Store this manual in a safe place for future reference.
2. **CAUTION:** Risk of Electric Shock. **DO NOT** operate in or near water. This may cause serious injury to you and/or the animal. **DO NOT** let the cord be suspended in water.
3. This heater may become very warm in certain parts. To avoid any burns, **DO NOT** let bare skin touch hot surfaces. If provided, use handles when moving this heater.
4. Properly mount this unit on a wall near the roof, or upper section of the enclosure, well above the animal.
5. Keep combustible materials, such as furniture, pillows, bedding, paper, clothes, and curtains at least 3 feet from the front of the heater and keep them away from the sides and rear. **DO NOT** place towels or other objects on the heater.
6. Extreme caution is necessary when any heater is used near children or the disabled, or when the heater is left operating and unattended. This unit should be operated only by adults or with adult supervision.
7. **DO NOT** operate any heater with a damaged cord or after the heater malfunctions, has been dropped or damaged in any manner. Return heater to authorized service facility for examination, electrical or mechanical adjustment, or repair. **DO NOT** attempt to alter or repair this unit.
8. This heater is not intended for use in bathrooms, laundry areas and similar indoor locations. **NEVER** locate heater where it may fall into a bathtub or other water container. To protect against electrical hazards, **DO NOT** immerse in water or other liquids.
9. **DO NOT** touch the control panel or plug with a wet hand.
10. **DO NOT** run cord under carpeting. **DO NOT** cover cord with throw rugs, runners, or similar coverings. Arrange cord away from traffic area and where it will not be tripped over.
11. **DO NOT** insert or allow foreign objects to enter any ventilation or exhaust opening as this may cause an electric shock or fire, or damage the heater.
12. To prevent a possible fire, **DO NOT** block air intakes or exhaust in any manner. **DO NOT** use on soft surfaces, like a bed, where openings may become blocked.
13. **DO NOT** use in areas where gasoline, paint, explosive and/or flammable liquids are used or stored. Keep unit away from heated surfaces and open flames.
14. Always plug heaters directly into a wall outlet/receptacle. Never use with an extension cord or relocatable power tap (outlet/power strip).
15. To avoid fire or shock hazard, plug the unit directly into a 115V AC electrical outlet.
16. To disconnect heater, turn controls to OFF, then remove plug from outlet. Pull firmly on the plug, **DO NOT** unplug by pulling on the cord.
17. Always unplug the unit before moving or cleaning, or whenever the heater is not in use.
18. **DO NOT** use outdoors in the open. Unit is meant to be used inside an enclosed outdoor structure.
19. **SAVE THESE INSTRUCTIONS.**

ITEM SPECIFICATIONS	
Power	115V
Power Cord	Metal Covered for Chew Protection - 8'
Heating Power	192W - Draws 1.63 amps
Heating Element	PTC - 100,000+ On/Off Cycles
Enclosure Size (cu. ft.)	35
Fan Specifications	13W, 115V, 60Hz, 0.13A, 30,000 hours
Decibels	42
CFM	30
Air Displacement	30+ Cu. Ft. per Minute
Controls	Manual On/Off
Auto Safety Shut Off	Yes
Thermostat	Off-Low-Medium-High
Thermostat-Low	53-64°F
Thermostat-Medium	66-77°F
Thermostat-High	77-88°F
Fan Only	Yes
Material	Stainless Steel
Color and Finish	Brown powder coat
Installation	Wall mount screws (included)
Unit Weight	5.1 lbs
Gross Weight	6.1 lbs

IN THE BOX

1. Pet heater
2. 4- ST4*30 wood screws
3. Paper installation template
4. Owner manual

OPERATING INSTRUCTIONS

Read all documentation that is included before installing and using this heater. Use this heater only as described in this manual. Any other use not recommended or Warrantied by ClimateRight® LLC and may cause fire, electric shock, or injury to persons.

The Pet heater must be properly installed before it used.
Open the switch box cover, you can see two switches Power and Thermostat.

CONTROL PANEL

Switch Cover

Open switch cover. See two (2) switches: POWER SWITCH and CONTROL KNOB

Heat Mode

Turn on HEATER “=”. The fan and the heater will run together on this setting.

Then turn the control knob clockwise will change the temperature setting of the heater. Approximate setting are as follows:

Low: 15±3°C / 53-64°F

MED: 22±3°C / 66 -77°F

HIGH: 28±3°C 77-88°F

Fan mode

Turn on FAN “-“. Only the fan will be running on this setting. The CONTROL KNOB switch will not operate on this setting.

This unit is powered by a 200W heating element. Turn the control knob clockwise. The unit will run at maximum power until the temperature reaches the setting temperature. Because pet and animal enclosures come in different sizes, shapes, insulation values, etc., reaching the desired temperature will vary greatly. It is highly recommended that the enclosure be insulated and preferably have a door.

INSTALLATION INSTRUCTIONS

Tools Required: measuring device, drill, 1 1/8” spade bit and screw driver

1. Place template corner in upper corner of your pet house so the cord hole to be drilled is approximately 11” down and 7” over from the upper corner of the house. This will maintain a minimum clearance of 4” from the ceiling of the pet house. Tape down template. Fig. 1
2. Place the 1 1/8” spade bit in the center of the template’s black circle and drill a hole all the way through the wall. Fig. 1
3. Using screw driver, insert two wood screws at the top of the paper template. Fig. 2.
4. Carefully feed cord all the way though the previously drilled hole making sure the cord is not kinked. Fig. 2
5. Apply the sticky seal around the cord hole. Fig. 3.
6. Mount the heater on the two top screws from step 3. Add 2 screws to bottom of mount and tighten all screws to secure unit to the wall. Fig. 3
7. Plug the unit into GFI 110V outlet and you are done. If you are using an extension cord, it must be a 3 wire, 18 gauge grounded plug cord. Be sure the connection is elevated off any surface and not near water.

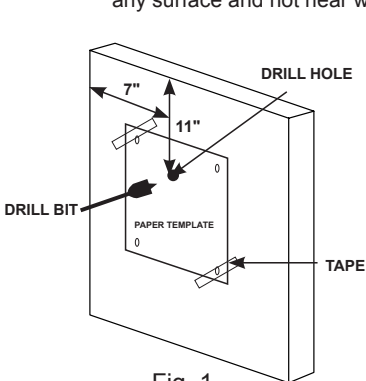
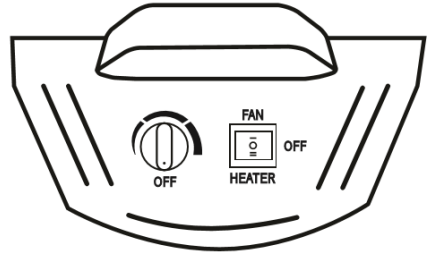


Fig. 1

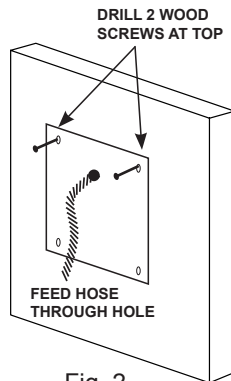


Fig. 2

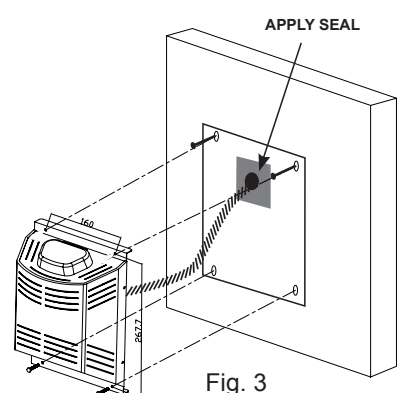


Fig. 3

WARNING: To reduce the risk of fire, do not store or use gasoline or other flammable vapors and liquids in the vicinity of the heater. If you have any questions about installation please contact ClimateRight support at **1 (800) 725-4628**.